

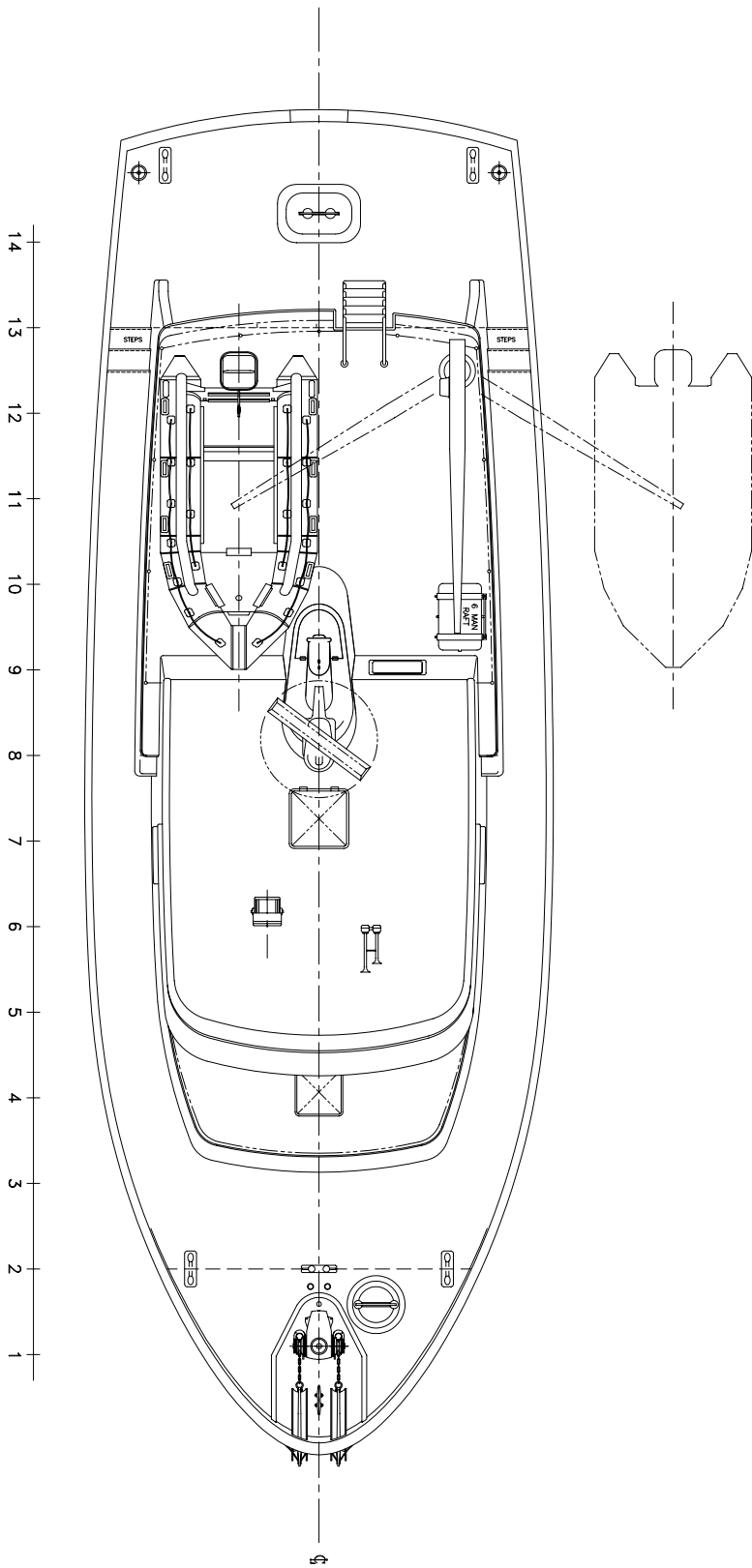
PROFILE

CMK
 CONSULTING MARINE ASSOCIATES
 WWW.ARMARBOOTS
 233 BROADWAY / CENTREVILLE, MD 21817
 P.O. (410) 798-2724 TEL. (410) 798-1891

47 ft. offshore
 Model # 4701
 Model Name: Ralph Kimball

SCALE: 1/2"=12' DESIGN: 00-05 DATE: 10/09/00
 DRAWING: K01

Release	9/21/02
Windows	5/09/02
Print	2/12/02
REVISION:	10/09/00



DECK PLAN

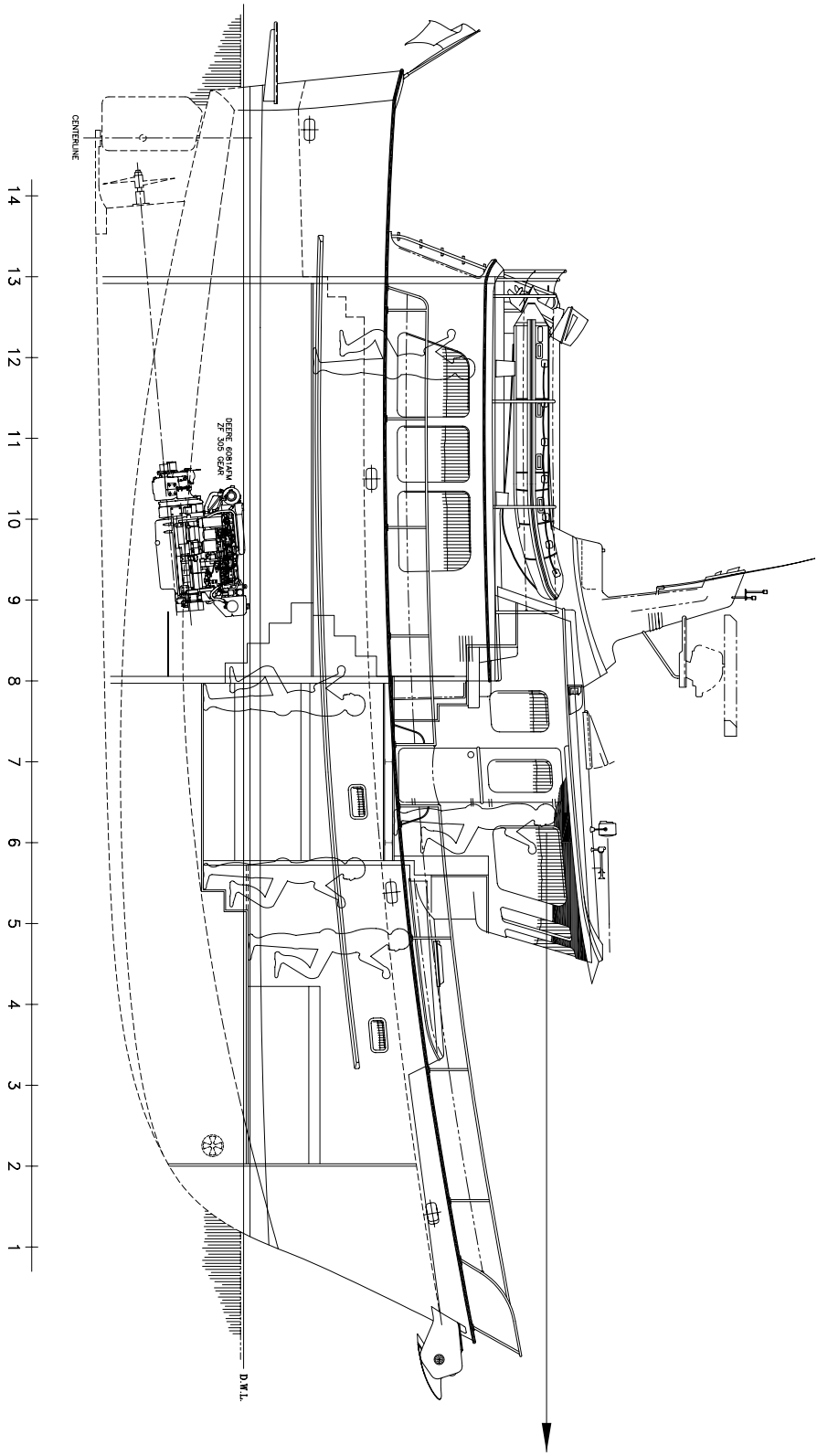
CMK
 CONSULTANTS & ASSOCIATES
 WWW.ASSETHOODS
 223 BROADWAY / CENTREVILLE, MD 21817
 P.O. BOX 100 / CENTREVILLE, MD 21817
 FAX: (410) 798-2724 TEL: (410) 798-1891

47 ft. offshore
 Model # 4700

10' Max. Depth
 Max. Draft: 10'0" Max. Draft: 10'0"
 Model # 4700

SCALE: 1/2" = 12" DESIGN: 00-05 DATE: 10/09/00
 DRAWING #03

REVISION:	DATE:	BY:
Release	8/21/02	
hatches, wireless	5/15/02	
redr	2/12/02	
	1/21/02	



GUIDANCE

CMK
 CONSULTING MARINE ASSOCIATES
 WWW.ARCHECTOS
 233 BROADWAY / CENTREVILLE, MD 21817
 P.O. (410) 798-2724 TEL. (410) 798-1891

47 ft. offshore
 Model # 4702
 Model # 4701
 Model # 4700
 Model # 4703
 Model # 4704
 Model # 4705
 Model # 4706
 Model # 4707
 Model # 4708
 Model # 4709
 Model # 4710
 Model # 4711
 Model # 4712
 Model # 4713
 Model # 4714
 Model # 4715
 Model # 4716
 Model # 4717
 Model # 4718
 Model # 4719
 Model # 4720

SCALE: 1/2"=12' DESIGN: 00-05 DATE: 10/09/00
 DRAWING: R04

REVISION:	DATE:
Release	8/21/02
Order	2/12/02
Details	2/5/02
	10/09/00